

DMG MORI

NEW EDITION!

FP 4 M *Special Edition*

HIGHLIGHTS

TECHNICAL DATA

Ideal
for
education



A classic
is back!

DMGMORI.COM



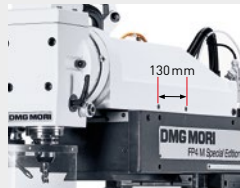
A classic with an extensive range of features

Can you remember the DECKEL FP 4? It is one of the most successful machines from DMG MORI in history with over 10,000 installations worldwide, many of them are still in operation today. We relaunched this machine!

- + HEIDENHAIN digital display
- + Direct path measurement systems in all axes
- + Wear-resistant digital drive, infinitely variable for all axes
- + Infinitely variable spindle motor
- + Swivel-mounted milling head with extending spindle sleeve
- + Motor-driven X, Y and Z axis feed with rapid traverse
- + Hydraulic clamping system DIN 69872

HIGHLIGHTS

- + Tried-and-tested concept with over 10,000 installations
- + Maximum precision and stability
- + Customised to meet specific training requirements
- + Small footprint – integrated switch cabinet means minimum space requirement
- + Easy access to work area
- + Ergonomic handwheel positioning for maximum operating comfort
- + Handscrapped guideways
- + Long service life



Vertical head

In Y-direction, the vertical head can be adjusted by up to 130 mm. This allows the X/Y work space to be expanded to 500 x 530 mm.



HEIDENHAIN digital display

Digital display with touch function for convenient operating and maximum user friendliness.



Drive screws

Trapezoidal drive screw in combination with splined drive shaft for low-wear axis movement.

FP 4 M *Special Edition*



BASIC MACHINE

Milling machine FP 4 M *Special Edition* in knee-type design
(incl. installation, excl. additional options, transport and packaging)

OPTIONS*

Clamping system DIN 2080	Dividing head SK-40 DIN-69871
Special paint	Three jaw chuck – ø:140 mm
Premium LED machine lamp – 24 V	Four jaw chuck – ø:140 mm
Oil sump for the machine foot	Tailstock for dividing head
Coolant tank adjacent to the machine foot (80 liters)	Machine vice – RB3
Minimum quantity lubrication UFS20	Slot nut – 14 mm
Different swivel table versions on request	Documentation on CD
Attachable rotary table – 6017	Documentation on paper
Additional part device – 6032	Maintenance of the machine

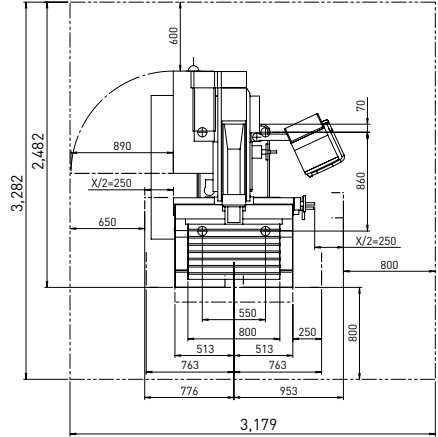
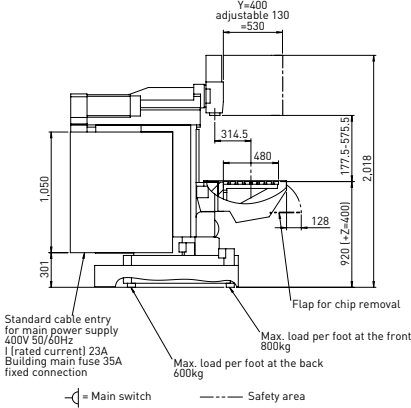
*Alternative/additional options, not included in the basic machine price

TECHNICAL DATA

- + Workspace [X/Y/Z] 500/400/400 mm
- + Rigid fixed table:
Clamping 800×480 mm
- + max. load: 300 kg
- + Spindle drive: speed range 25 – 3,000 rpm
infinitely variable – data input at counter
- + regulated AC drive approx. 6 kW
- + Swivel-mounted vertical head ±90° (180°)
- + Linear axes: Feed range 6 – 500 mm/min,
Rapid traverse 1,500 mm/min
- + Space requirement (B × T): approx
2,235 × 1,875 mm
- + Machine weight: approx. 1,600 kg
- + Quill stroke: 80 mm with manual clamping

Technical modifications, availability or prior sale are subject to change without notice. Machines as shown in the picture may contain options, and accessories which are not included in the basic machine price. Our general terms and conditions apply.

Floor plans



If you have any questions regarding the FP 4 M *Special Edition*, please contact:



Sebastian Plau
 Head of Sales
 Tel.: +49 175 1888838
 E-Mail: sebastian.plau@dmgmori.com

DMG MORI Academy GmbH
 Gildemeisterstraße 60 | D-33689 Bielefeld
 Phone +49 (0) 52 05 / 74 25 33 | Telefax +49 (0) 52 05 / 74 25 02
training@dmgmori.com | www.dmgmori.com

DMG MORI